

60A Dual-Feed GMT Fuse Panels

Power :: Dual 10/10 or Dual 20/20 Positions; Compact & Lightweight



Overview

The Amphenol Network Solutions new GMT fuse panels provide reliable low-current power distribution in a highly cost-effective package. Each panel features 60A dual-feed inputs and universal $\pm 24/-48$ operating voltage to fit in legacy and “next-gen” network applications. Panels handle up to 15A fuses in each position, providing ample capacity for distribution to a broad range of components. Dual 10/10-position and 20/20-position configurations are available.



Fig. 1: 60GMT10 Front View

Primary Benefits

- Universal voltage (± 24 to -48 VDC) enables standardization on a single part number for multiple voltages
- Up to 15A fuses for distribution to a variety of network elements (Note: Order fuses separately)
- GMT fuse holders mounted for downward trip indication – easier identification and detection of blown fuses
- Form C relay contacts provide reliable alarm connections
- Fail alarm LEDs clearly indicate fuse and power failures
- Lever-actuated input connectors provide simple, tool-less termination and maintenance-free connections
- Screw clamp output, ground, and alarm connectors ensure security and reliability
- Essential low-current power distribution functionality in a cost-effective platform

See more power distribution solutions, additional product documentation and more online at amphenol-ns.com

Applications

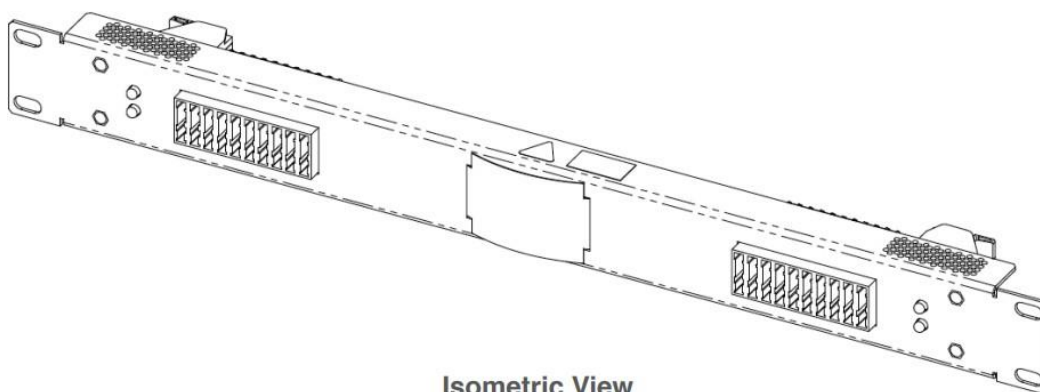
- Wireless
- Central office
- Co-location
- Remote sites
- Secondary distribution

Specifications

| Electrical | |
|-------------------------------|--|
| Nominal voltage | ± 24V/-48V |
| Input rating | 60A per bus |
| Max. input interrupt device | 75A |
| Max. output protection device | 15A |
| Power dissipation (full load) | 12W per bus |
| Mechanical | |
| Dimensions | 19" W x 1.75" H x 2" D (432 mm x 45 mm x 51 mm) |
| Weight | 4 lbs (1.8 kg) |
| Color | White |
| Finish | Powder coat |
| Mounting | 19" or 23" |
| Environmental | |
| Temperature range | -5° to 55°C |
| Humidity | 0 to 90%, non-condensing |
| Connections | |
| Input terminals | Pressure clamp, #16 - #6 AWG |
| Output terminals | Screw clamp, #22 - #16 AWG |
| Chassis ground | Screw, #8 |
| Alarms | |
| Alarm indicators | Power, fuse alarms |
| Alarm type | Form C |
| Alarm connector | Screw clamp, #22 - #16 AWG |
| Relay contact ratings | 0.6A at 48 VDC; 1A at 120 VAC |

Ordering Information

| Description | Part Number |
|-------------------------------|-------------|
| Dual-feed 10/10 panel, white | 60GMT10 |
| Dual-feed 20/20 panel, white | 60GMT20 |
| <i>Order fuses separately</i> | |
| Amperage | GMT Fuses |
| 18/100A | 130781 |
| 1/4A | 100151 |
| 1/2A | 004001 |
| 3/4A | 004008 |
| 1A | 100991 |
| 1-1/3A | 004006 |
| 1-1/2A | 004011 |
| 2A | 004002 |
| 2-1/2A | 130783 |
| 3A | 004012 |
| 3-1/2A | 130782 |
| 4A | 004013 |
| 5A | 004014 |
| 7-1/2A | 004010 |
| 10A | 004015 |
| 12A | 102287 |
| 15A | 102288 |
| Additional Items | |
| Fuse puller | 06113-03 |
| Dummy fuse | 132748 |



Isometric View